

AT A GLANCE

FEATURES

- Dual action (throttle and shift in one lever)
- Sturdy control provides one-handed positive engine control
- Neutral warm-up is done by pulling out the hand levers in the neutral position
- Built-in friction drag helps reduce slippage and throttle creep while underway
- Includes hardware for 3300/33C control cables
- Single Lever may use 4300 series control cable with hardware kit 308742



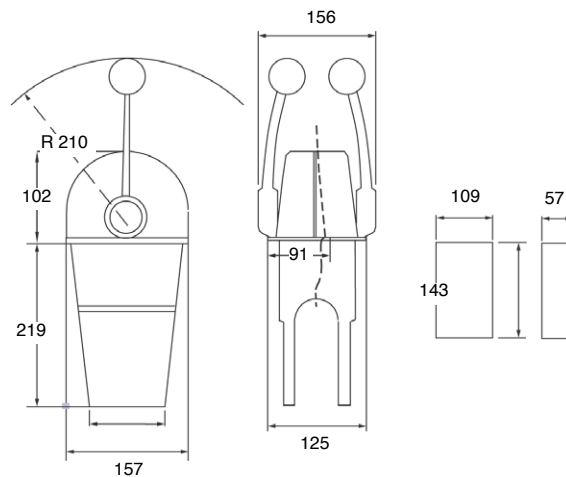
MT3 TOP MOUNT CONTROLS

TECHNICAL DATA

World's most popular classic design, dual action, top mount controls. Chrome finish, available in single or twin engine versions.

Suits 33C type control cables.*

* Single control accepts 43C type cable with optional connection kit. Standard control suits 33C type cables.



SPECIFICATIONS

ORDER INFORMATION	PART NO.
MT3 Single	CH5310P
MT3 Twin	CH5300P

