

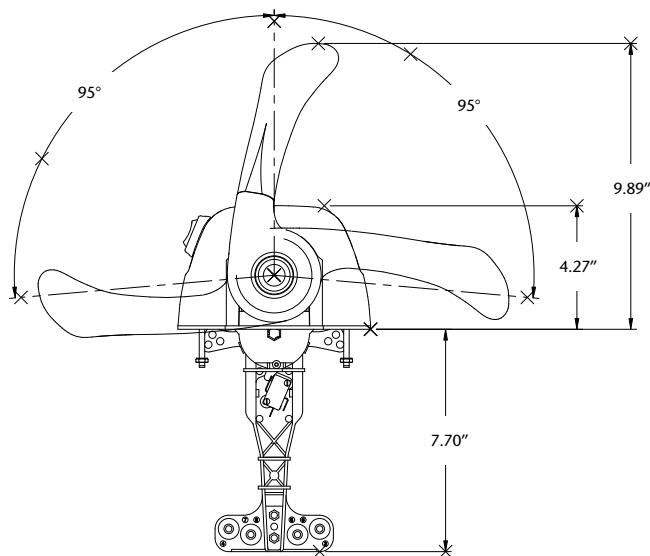
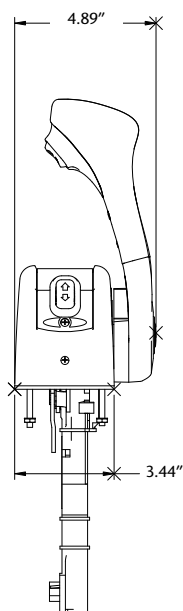
CH7542P Pictured



OSPREY SERIES CH7500 TOP MOUNT CONTROL TECHNICAL DATA

The ergonomics and features of our CH7500 controls are advanced beyond those of any other control on the market. A shapely, balanced handle design provides an incredibly smooth yet positive feel, throttle warm-up and start-in-gear protection features are standard on all CH7500 models, with neutral interlock and power trim/tilt offered as an option. In addition the cosmetics of these controls can be configured to many tastes.

CH7500 controls are suitable for use with both universal type (3300) or OEM type control cables without the need for adaptation.



ISSUE DATE OCT-09
DATA SHEET NO USA-MC(DA)1

AT A GLANCE

FEATURES

- All controls include start in gear protection
- Designed for use with both universal and OEM shift and throttle cable connections
- Suitable for most single engine/single station combinations
- Dual action lever (throttle and shift control on one handle)
- Optional neutral interlock available
- Trim, Tilt, options available
- Drag adjustment on all models
- Easy installation and set up
- Neutral "warm up" button for throttle only operation

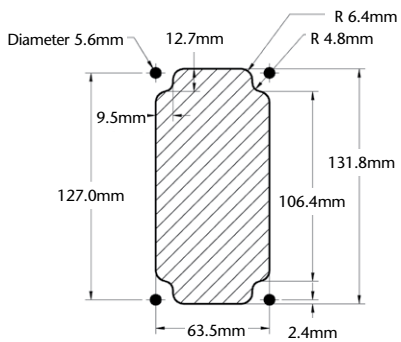
PAGE 1 OF 2

SPECIFICATIONS

CH7500 Single Top Mount

ENGINE CONTROLS	PRODUCT NUMBERS
Single Top-Mount Control - Lever on the Right	
Single Top-Mount, Chrome Handle, Chrome Cover, Chrome and Black Inserts	CH7540P
Single Top-Mount, Chrome Handle, Chrome Cover, Chrome and Black Inserts, with Trim	CH7541P
Single Top-Mount, Chrome Handle, Chrome Cover, Chrome and Black Inserts, with Trim & Tilt	CH7542P
Single Top-Mount Control with Neutral Interlock Lever on the Right Side	
Single Top-Mount, Chrome Handle, Chrome Cover, Chrome and Black Inserts, with Neutral Interlock	CH7550P
Single Top-Mount, Chrome Handle, Chrome Cover, Chrome and Black Inserts, with Trim, with Neutral Interlock	CH7551P
Single Top-Mount, Chrome Handle, Chrome Cover, Chrome and Black Inserts, with Trim & Tilt, with Neutral Interlock	CH7552P

CH7500 Hole Cutout



CH7651P (available to special order)



ISSUE DATE OCT-09
DATA SHEET NO USA-MC(DA)1

PAGE 2 OF 2