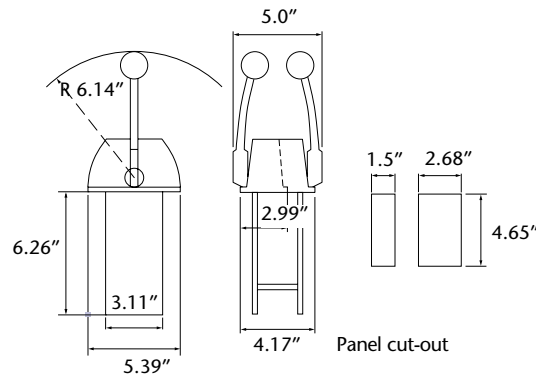


AT A GLANCE

FEATURES

- Highly polished corrosion resistant stainless steel covers and handle
- Simple, rugged, compact design
- Optional neutral safety switch to prevent starting in gear
- Optional hand lever extension
- Optional gear detent kit (if used in dual stations use on main operating station only)
- Standard control suits 33C and 43C type cables
- Mechanical advantage - shift 2.77:1/ throttle 2.77:1
- Meets/exceeds all applicable industry standards.



TWIN S & SINGLE S TOP MOUNT CONTROLS

TECHNICAL DATA

Single function, one or two lever versions. Highly polished, stainless steel covers. Suits 33C and 43 C type control cables.

SPECIFICATIONS

ORDERING INFORMATION	PART NO.
Twin S	031001-001
Single S	031002-001

ACCESSORIES & PARTS	PART NO.
Clutch detent kit	022328
In Series dual station kit - 30 series	039489-002
In Series dual station kit - 40 series (2 required for twin)	042152
Neutral safety kit	047307
Throttle hold kit (one per lever, prevent throttle creep)	306997

ACCESSORIES & PARTS	PART NO.
Ball Knob, Red	4009912**
Ball Knob, Black	4009819**
Stainless Steel Throttle Knob (grooved)	CA69052P**
Stainless Steel Throttle Knob (smooth)	CA69051P**
Hardware Kit, Twin	061001
Hand Lever Extension	036773

COMPATIBLE CABLES	PART NO.
Universal 3300 Types	
3300 cable (standard)	CC172XX
3300 cable (midrange)	CC330XX
33C cable (midrange)	032377-03-XXX.0
33C Supreme (midrange)	301947-03-XXX.0
TFXTREME 3300 cable (premium)	CC633XX

COMPATIBLE CABLES	PART NO.
OEM/Univ. 3300 Types	
Mercury 3600 type cabel (premium)	CC630XX
Universal 43 Types:	
TFXTREME 4300 BC cable	CC692XX
TFXTREME 4300 CC cable	CC693XX

** Fits most controls with 3/8-24 threaded levers.

