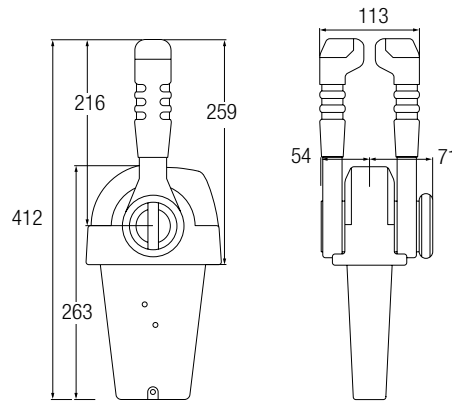


AT A GLANCE

FEATURES

- Adjustable throttle brake to prevent throttle creep that is evident with some diesel engines.
- Adjustable cable stops - easily accessible through removable top cover
- Splash proof covers
- Easy cable connection facility
- Distinctive handle design helps operator identify throttle lever more easily, even in the dark
- Standard control suits 33C type cables



KB TOP MOUNT CONTROL

TECHNICAL DATA

Single function, twin lever. Popular on commercial vessels. External adjustable drag control. Suits 33C type control cables.

ACCESSORIES & PARTS	PART NO.
KB Single Control/Throttle	NB0701-00
KB Single Control/Clutch	NB0702-00
KB Twin Control, Standard	NB0801-00
KB Twin Control/Both Throttle	NB0810-00
KB Twin Control/Both Clutch	NB0811-00

