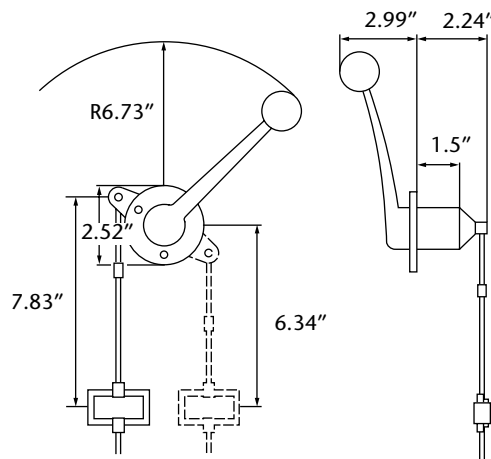


AT A GLANCE

FEATURES

- Durable heavy chrome finish
- Simple rugged compact design
- Available with or without throttle brake
- STB complete with adjustable friction damper
- Control suits 33C type cables or 4300 type cable



## ST AND STB FLUSH/SIDE MOUNT CONTROLS

### TECHNICAL DATA

Single function, single lever control simple trouble free design.

The time proven design of these controls means years of reliable operation.

Suits 33C or 43C type cable.

### SPECIFICATIONS

ENGINE CONTROLS	PART NO.
ST Control with no brake (3300 and 4300 control cables) (Old #'s 031791 or 039115)	<b>CH2400P</b>
STB w/external brake (3300 and 4300 control cables) (Old #'s 044777 or 045978)	<b>CH2410P</b>

COMPATIBLE CABLES	PART NO.
OEM/Univ. 3300/33C Types	
Universal 3300 Types	
3300/33C cable (standard)	<b>CC172XX/CC230XX</b>
3300/33C cable (midrange)	<b>CC332XX</b>
TFXTREME 3300/33C cable (premium)	<b>CCX633XX</b>
Universal 43 Types	
TFXTREME 43BC cable	<b>CCX430XX</b>
TFXTREME 43C cable	<b>CCX433XX</b>

ACCESORIES AND PARTS	PART NO.
Black ball knob	<b>4009819**</b>
Stainless steel shift knob (smooth)	<b>CA69051P**</b>
Mounting hardware kit	<b>062279</b>

\*\*Fits most controls with 3/8-24 threaded levers

